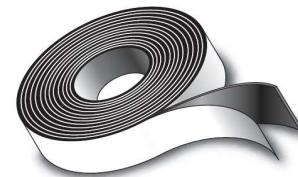
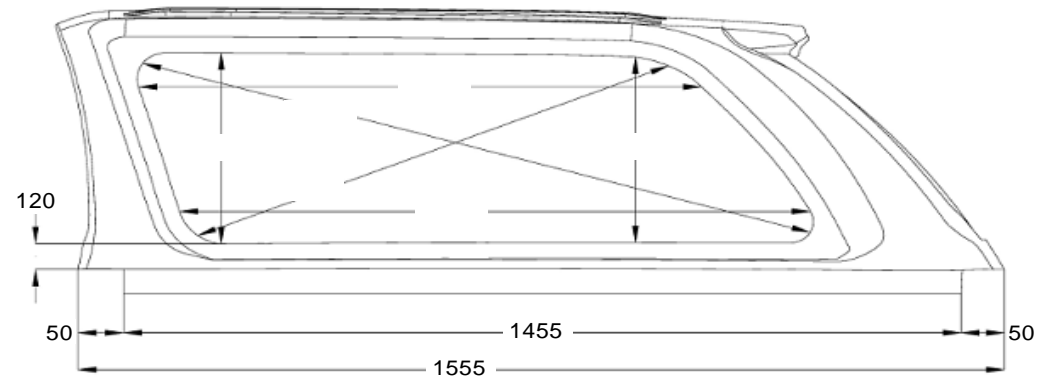
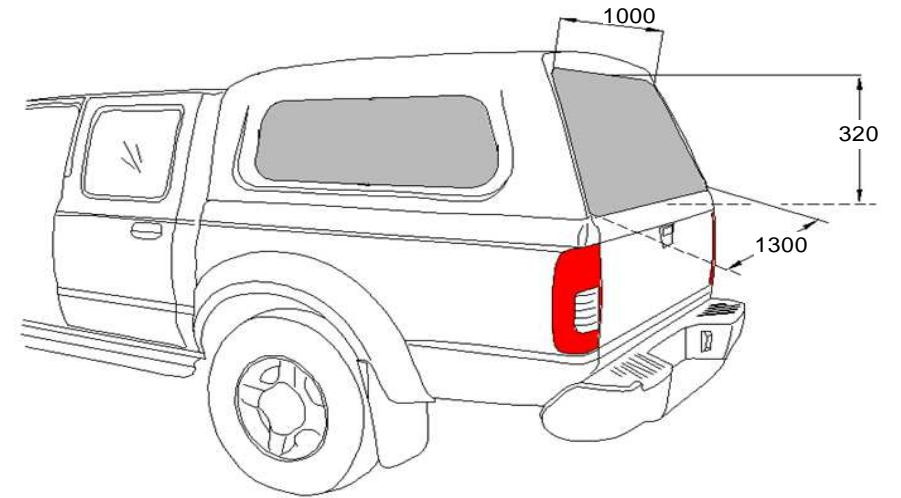


Net weight: 45,00 kg  
 Gross weight: 72,00 kg  
 Volume: 2 m<sup>3</sup>



20 x 10 x 5000 GKS ECONOMY - 1,5 m  
 100 - 3 m