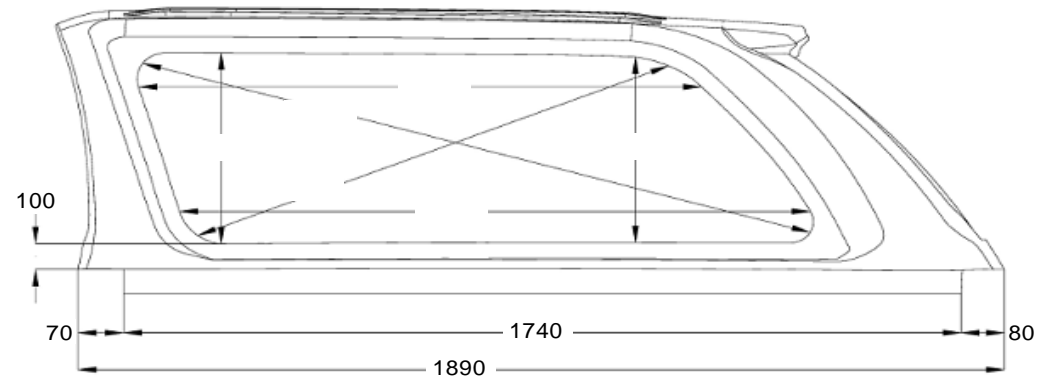
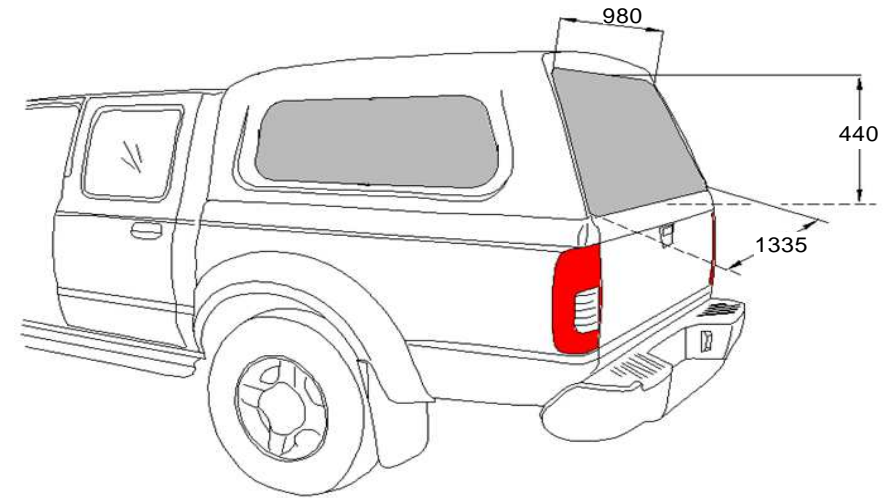


Net weight: 90,00 kg
 Gross weight: 125,00 kg
 Volume: 2,55 m3



10 X 40 X 10000 GKS ECONOMY - 1,65 m
 100 - 3,9 m