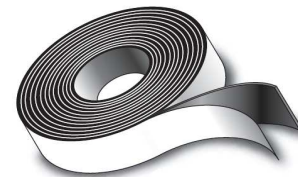
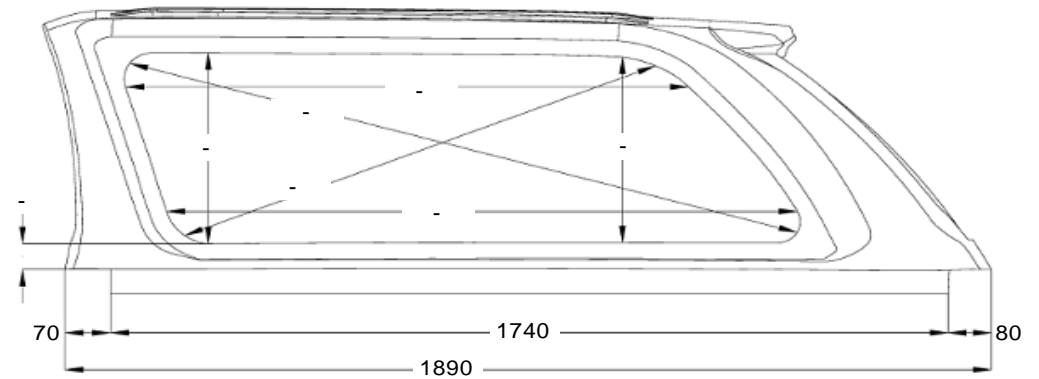
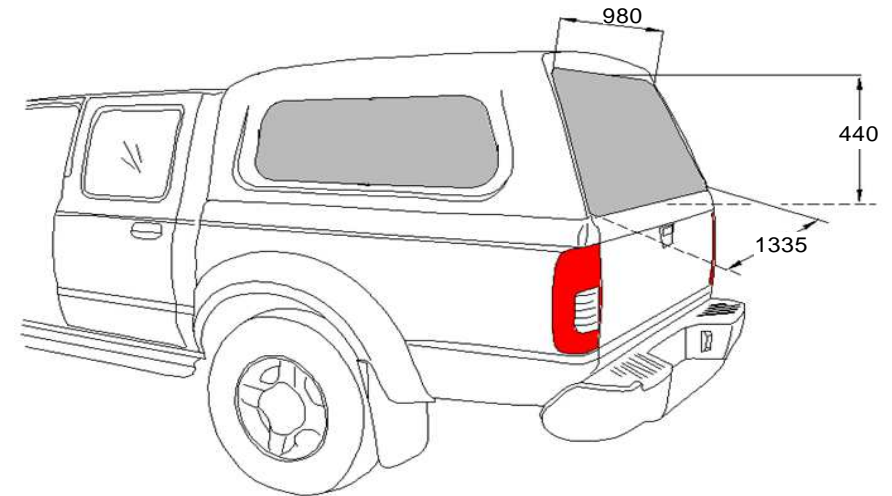


Net weight: 59,00 kg  
 Gross weight: 94,00 kg  
 Volume: 2,55 m<sup>3</sup>



10 X 40 X 10000 GKS ECONOMY - 1,65 m  
 100 - 3,9 m