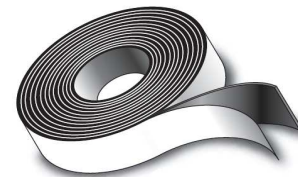
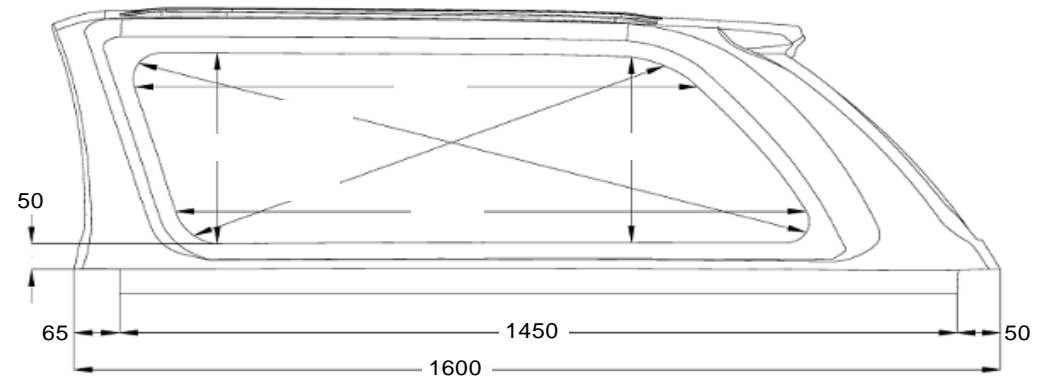
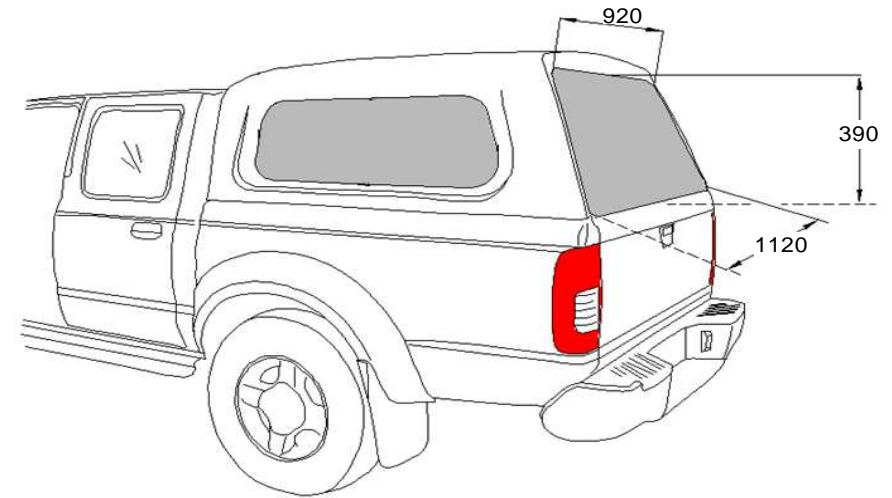


Net weight: 68,00 kg  
 Gross weight: 97,00 kg  
 Volume: 2,22 m3



20 x 10 x 5000 GKS ECONOMY - 1,65 m  
 7 X 30 X 10000 A/60/PT3 PE-L - 5 m